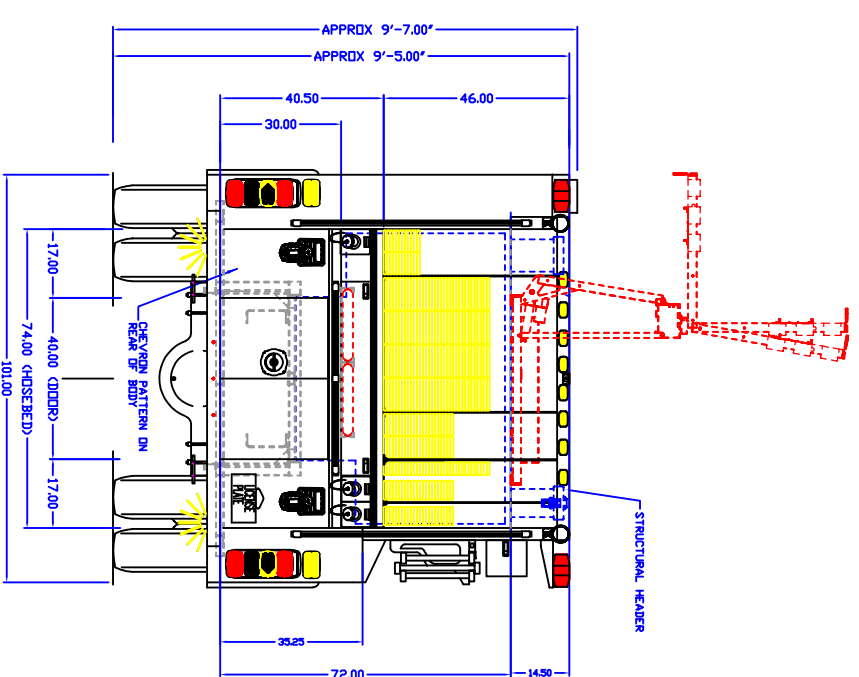
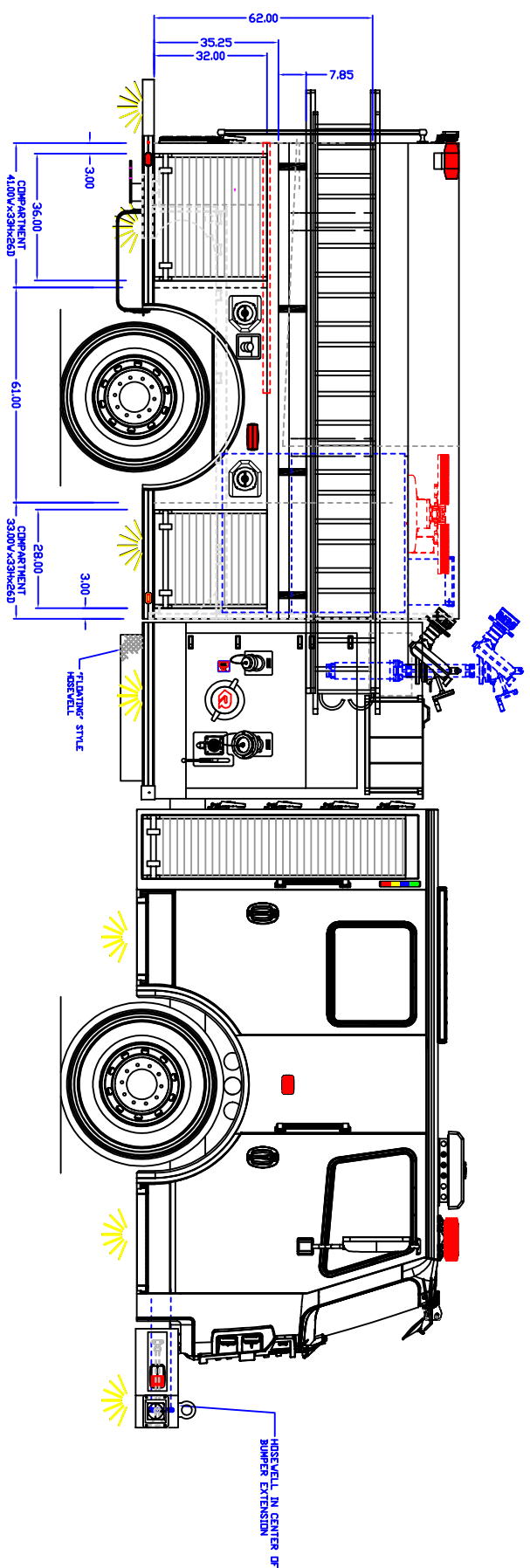
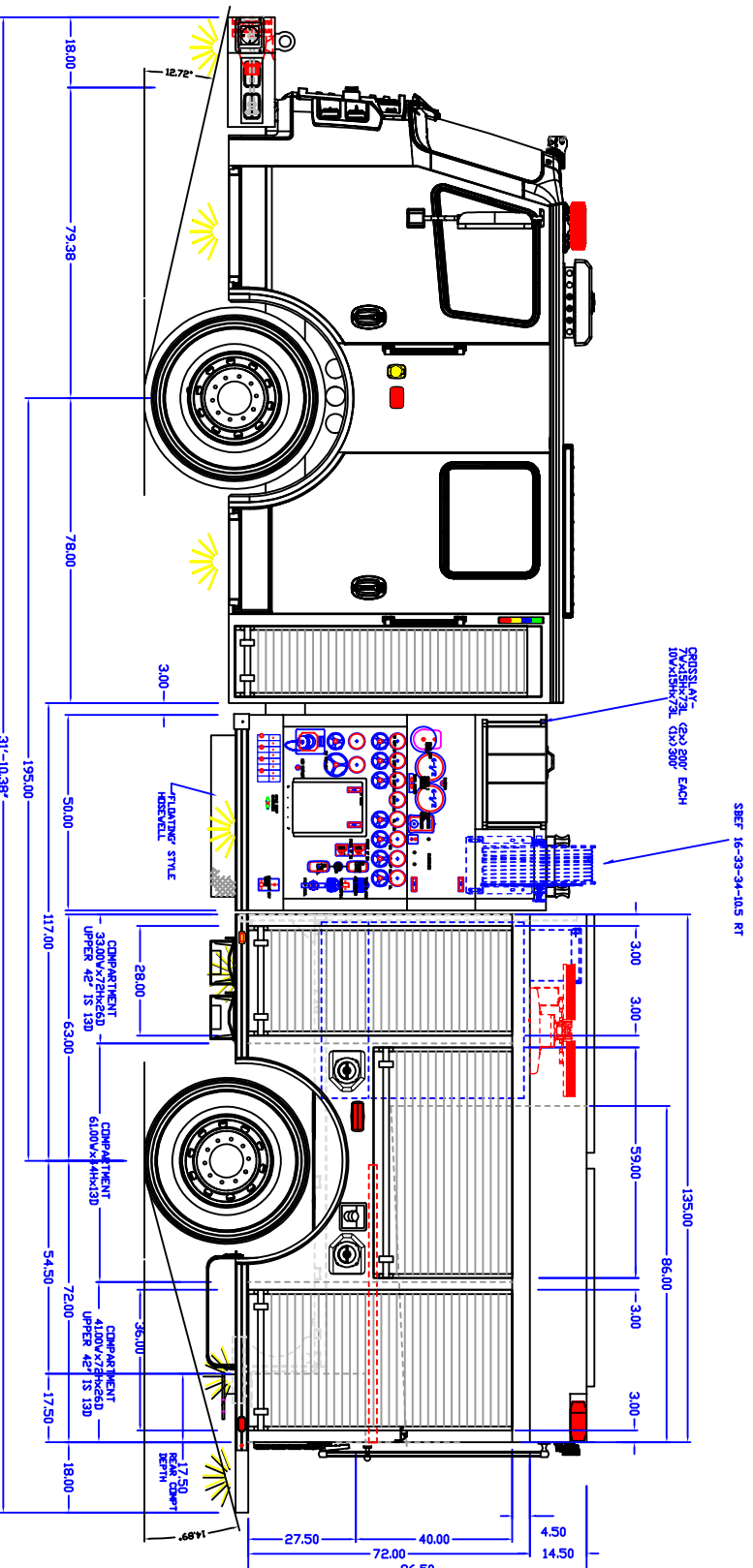
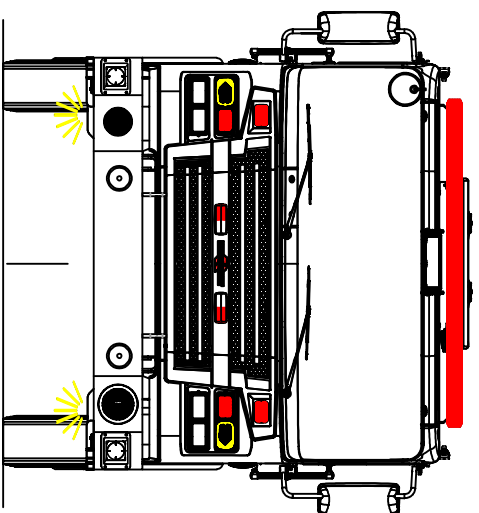


NTALS: -
 JOB NUMBER: 19091-102
 DATE: -

MAIN FILE: -
 DEPT: -
 DEALER: -

PRODUCTION APPROVED



- NOTES:
- OVERALL HEIGHT IS IN LOADED CONDITION. UNLOADED HEIGHTS MAY BE 4" ABOVE HEIGHTS SHOWN.
 - DO NOT SCALE DRAWING.
 - ALL DIMENSIONS ARE APPROXIMATE AND SUBJECT TO ENGINEERING CHANGES.
 - DRAWING MAY OR MAY NOT SHOW ALL ITEMS AS DESCRIBED IN THE WRITTEN DETAIL SPECIFICATIONS.
 - INCLUSION OF AN ITEM ON THE DRAWING DOES NOT CONSTITUTE INCLUSION OF THAT ITEM WITH THE FINAL DELIVERED UNIT.
 - THE EFFECTIVE DOOR OPENINGS WILL BE APPROX. 2" LESS THAN THE NOTED COMPARTMENT OPENING FOR ROLL UP DOORS AND UP TO APPROX. 4" LESS FOR HINGED DOORS

REV.	DATE	BY	DESCRIPTION
REV. 7	KA	3/4/24	ISSUED FOR PRODUCTION
REV. 6	KA	3/4/24	ISSUED FOR PRODUCTION
REV. 5	DHI	2-7-24	ISSUED FOR PRODUCTION
REV. 4	DHI	2-4-24	ISSUED FOR PRODUCTION
REV. 3	KA	2-2-24	ISSUED FOR PRODUCTION
REV. 2	JMS	11-07-23	ISSUED FOR PRODUCTION
REV. 1	VLM	10-31-23	ISSUED FOR PRODUCTION
DRAWN:	VLM	DATE: 03-10-23	

APPROVED BY: _____

CHASSIS:	COMMANDER 7800
PUMP:	HALE 1000 GPM
TANK:	POLY/500/30(FOAM)
PANEL MATL:	LINE X
COMP INTERIOR:	LINE X
MAXIMUM HEIGHT	NONE
MAXIMUM LENGTH	NONE
BODY WIDTH	101"

DEKALB COUNTY
 FIRE RESCUE

